

# Men's Bi-Fold wallet

©2021 by Eleana Workshop

5cm

5cm

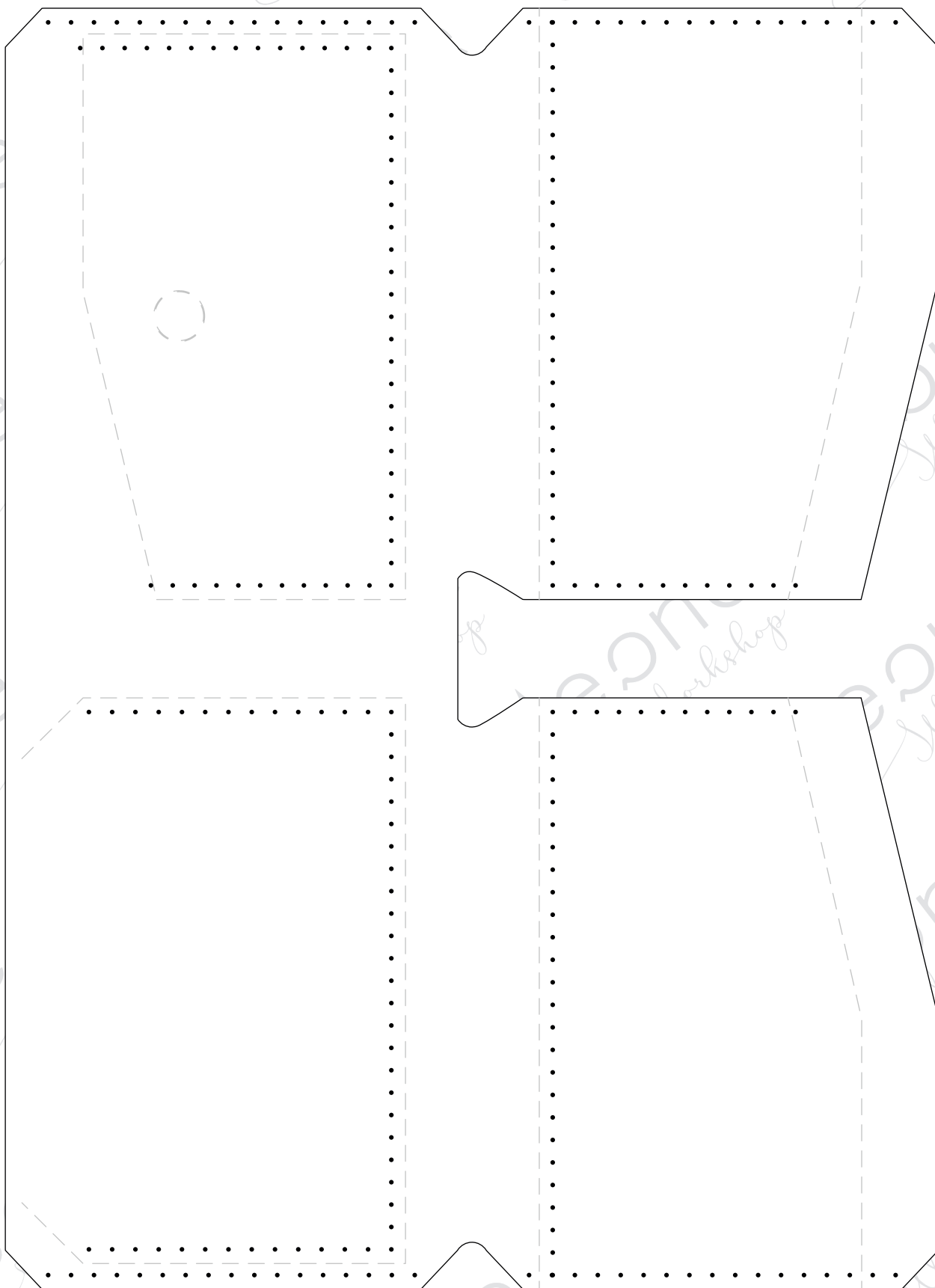


- The pattern is designed the A4 size (8,5 x 11 inches). Print 1:1, Actual size
- The PDF file contains contains real size patterns and work scheme
- Reccomended to use leather in a thickness of 1.5mm
- Thread 0,5mm - 0,6mm
- Pattern comes with 4mm stitch line and 1mm hole diameter



# Men's Bi-Fold wallet

©2021 by Eleana Workshop



# Men's Bi-Fold wallet

©2021 by Eleana Workshop

