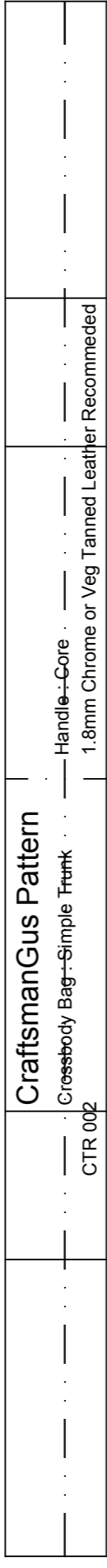
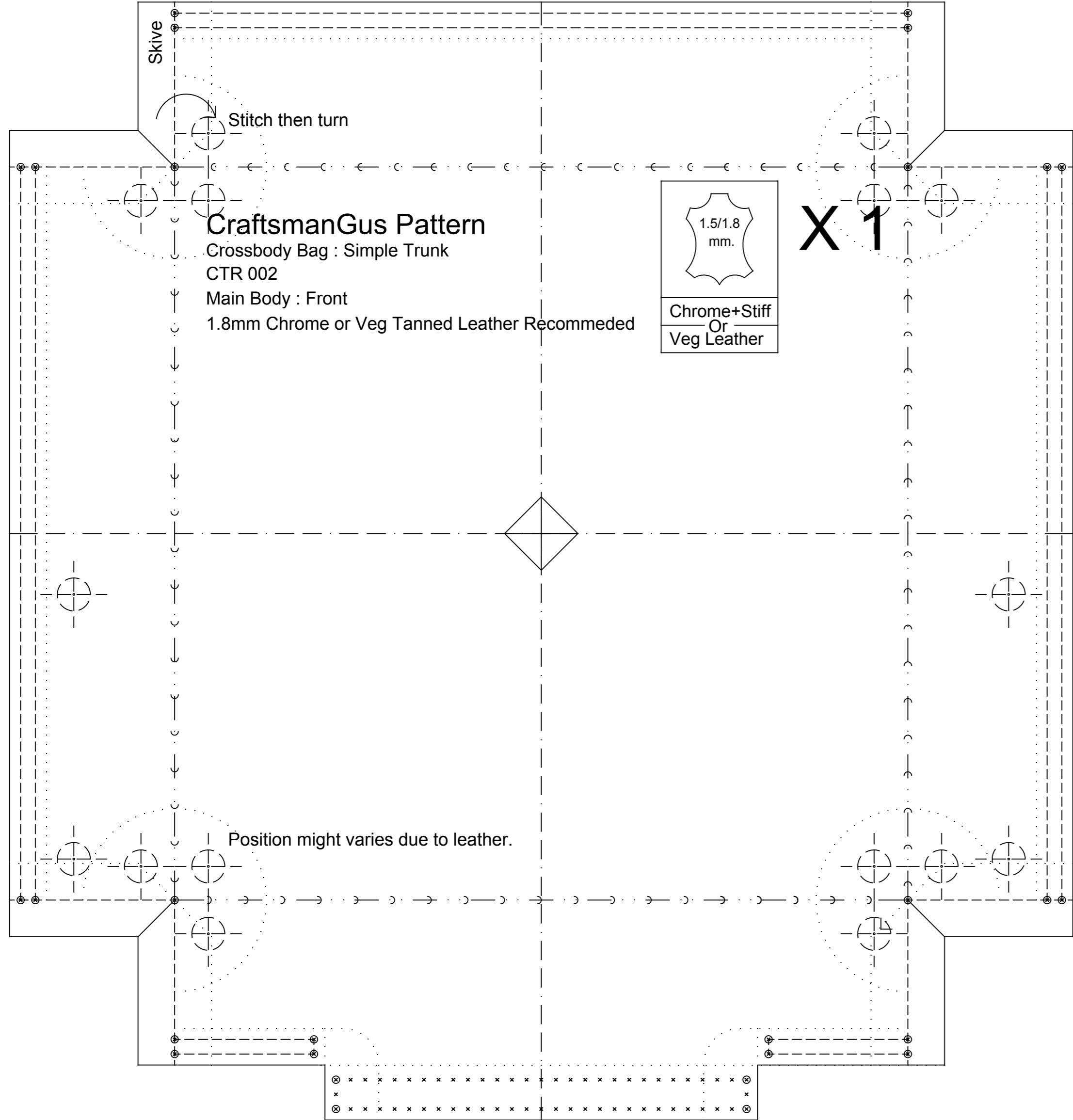
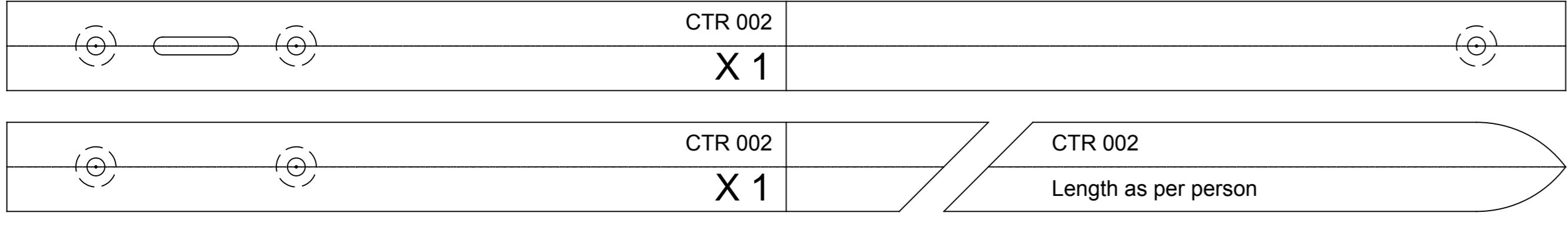
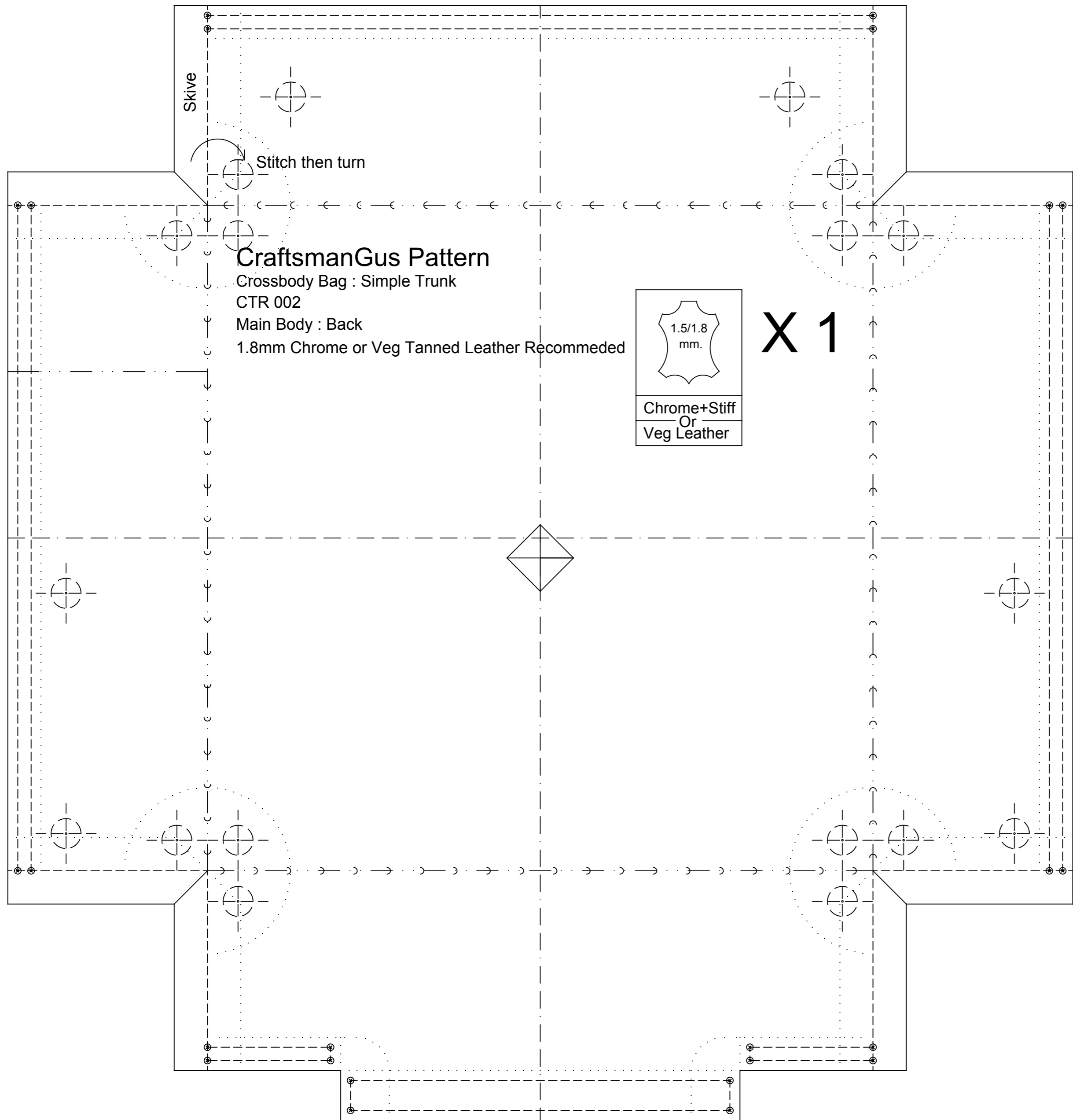
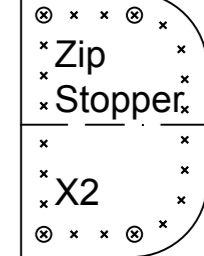
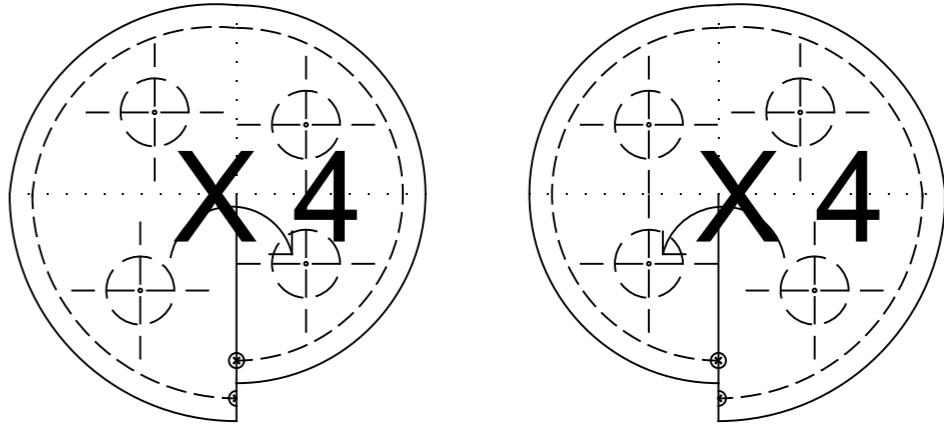
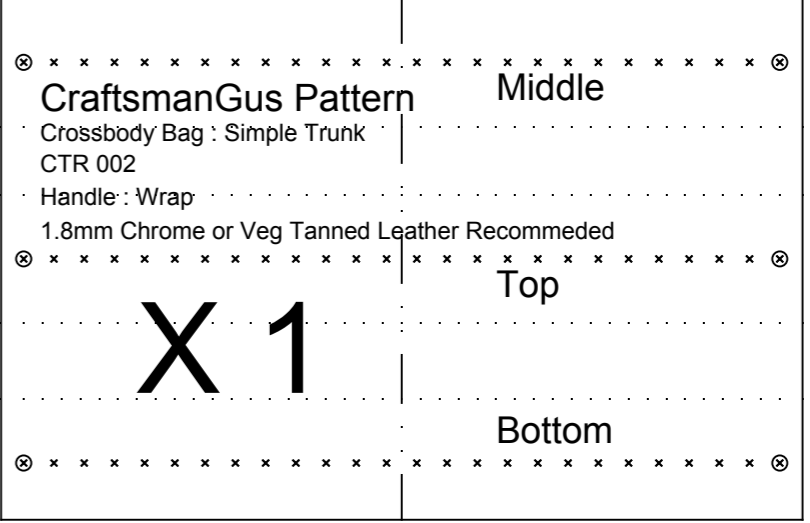


# Crossbody Bag : Simple Trunk SQ



CraftsmanGus Pattern Crossbody Bag : Simple Trunk CTR 002 Opening/Zipper Strap 1.8mm Chrome or Veg Tanned Leather Recommended 71.6 cm. Cut excess after finish.



## Legends

Name of the Pattern >	CraftsmanGus Pattern
Working Code Name >	Briefcase : Simple Days BSD 001
Name of Parts >	Typical Card Slot 2nd & 3rd Slot Bottom
Name of Materials >	Thin Polyester Lining Fabric Recommended
Notes >	*For small card lining will be less wide (2mm. less for L&R side)

Line Type	Description
—	Solid line : For boundaries/borders of the material
- - - - -	Dash line : If out of borders mean to an excess. Need to be cut after stitch.
⊙	Dash line with x in o : Stitching line without need to be precise hole punching.
○	Solid line without x in o : Cutting line as slit.
- · - · -	Dash + 1Dot line : Center Line
- · · - · · -	Dash + 2Dot line : Border line after folded.
	Italic hatch within dash border : Excess, need to be cut after stitch.
⋯	Dotted line : Indicates where are other borders underneath.
← ← ←	Continuous-C line : Groove line on the back of the leather/ for folding.

			<b>Table of Materials :</b> Graphic sign to help for working more clearer. Description written in each templates.

**X 2**  
(Number of pieces required)